

**APPROVED**

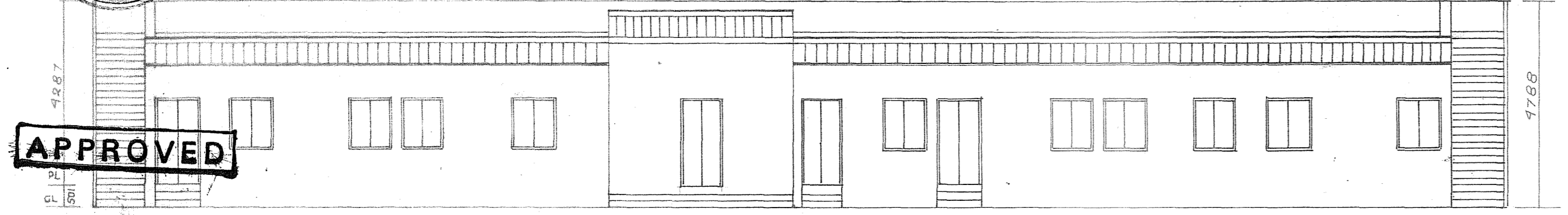
PLAN No. CB/1084/05  
 RB/CB/1B/PB/MUT/  
 ARN...../...../  
 20.05.2006  
 Date: 20/5/2006

Executive Officer  
 Durgapur Municipal Corporation

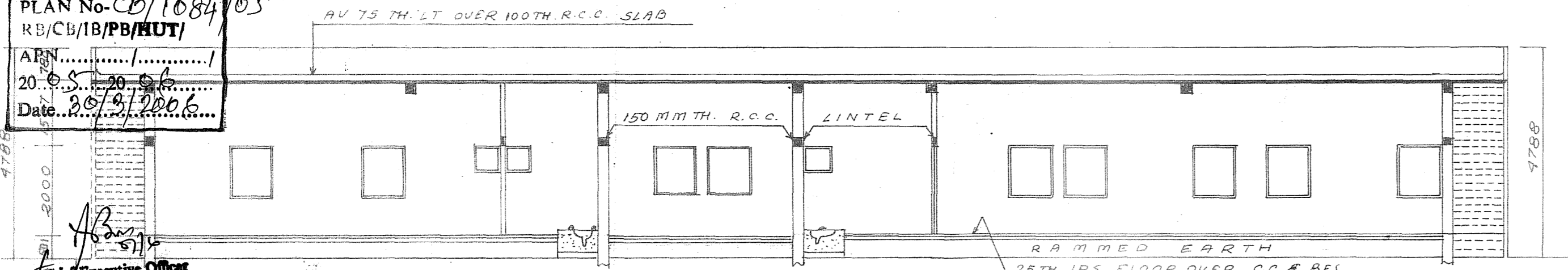
Additional Engineer  
 Durgapur Municipal Corporation

Structural Safety should be  
 Ensured by the Party

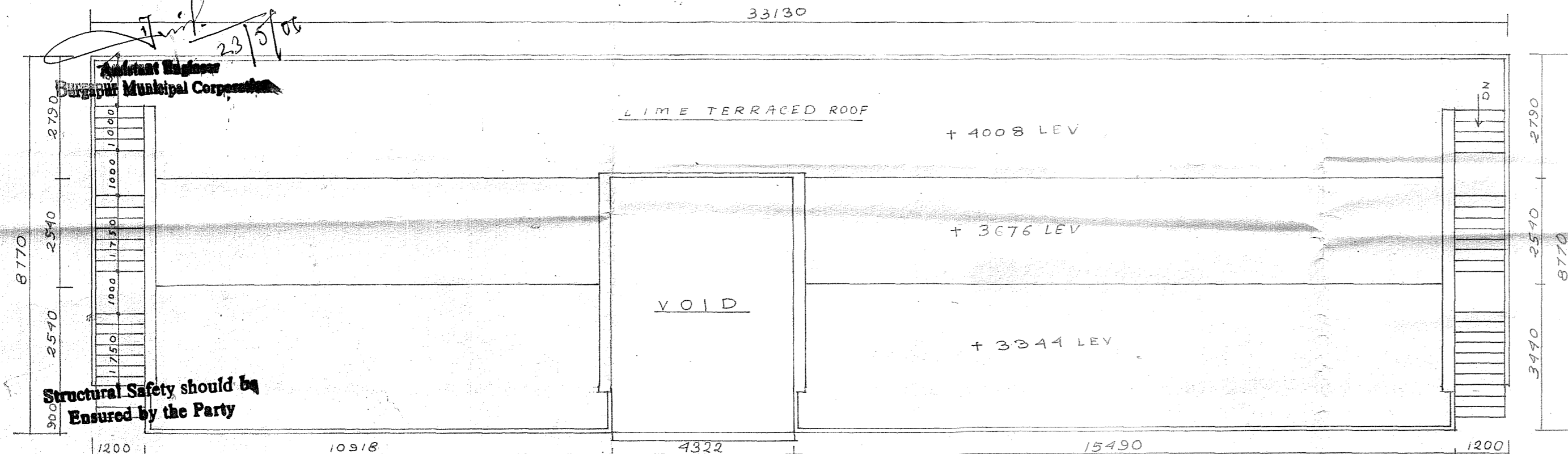
Permission accorded under BM Act  
 1932 (Act XV of 32) as plan is in  
 Conformity with Bye-Laws framed  
 under BM Act of 1932. No Comm-  
 itments as regards ownership and  
 classification of lands are made.



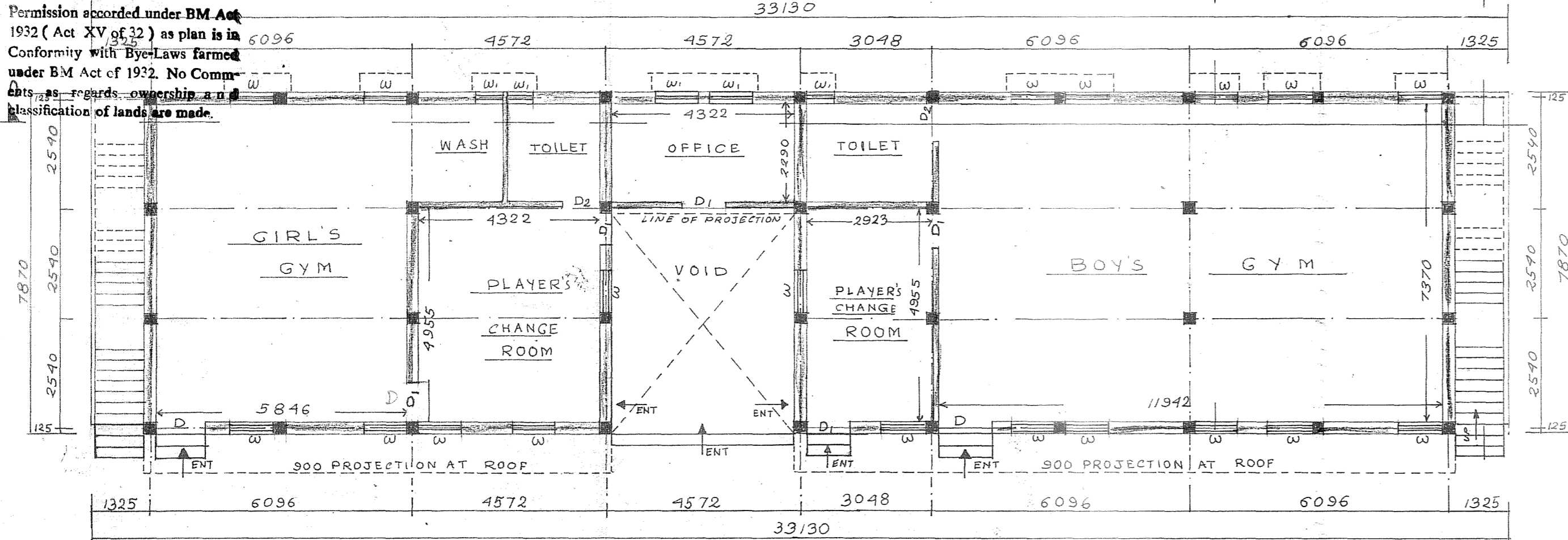
FRONT ELEVATION



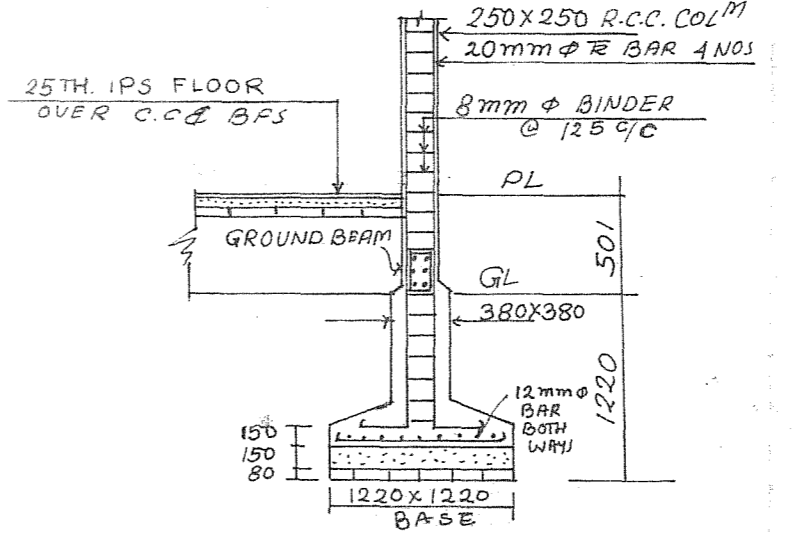
SECTION ON DD



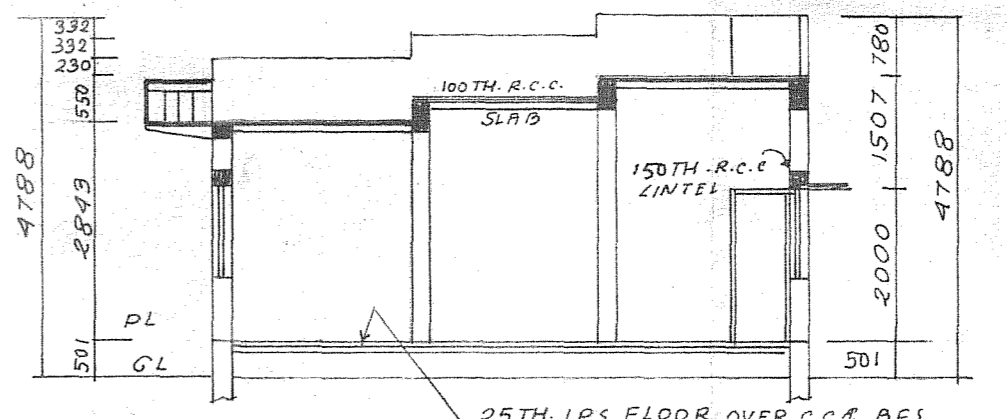
ROOF PLAN



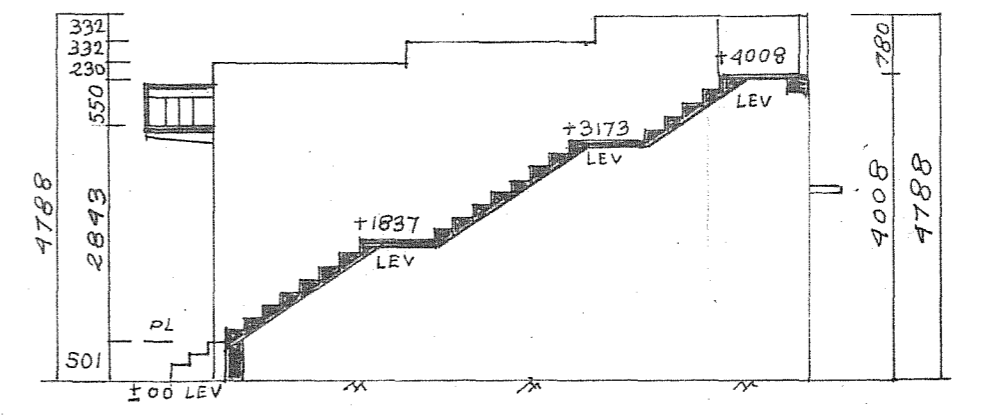
PLAN OF GYMNASIUM



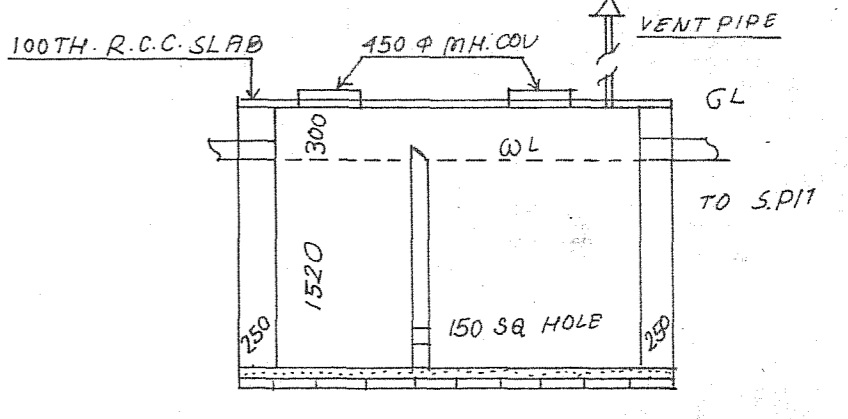
DETAILS OF 250X250 R.C.C. COLM FOUNDATION



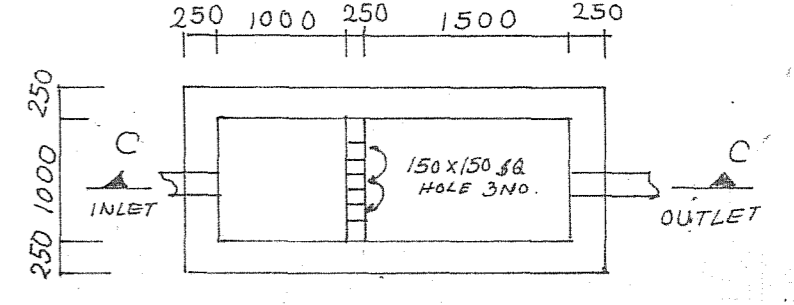
SECTION ON PP



SECTION ON CC



SECTION ON C-C



PLAN OF SEPTIC TANK

SCHEDULE OF DOORS & WINDOWS

TYPE	WIDTH	HEIGHT	DESCRIPTION
D	1060	2000	FULLY PANEL
D <sub>1</sub>	1000	2000	- DO -
D <sub>2</sub>	780	2000	- DO -
W	1000	1200	- DO -
W <sub>1</sub>	600	600	- DO -

PROPOSED PLAN OF SINGLE  
 STORIED GYMNASIUM BUILDING  
 OF DR B.C. ROY ENGG. COLLEGE,  
 DURGAPUR, OVER R.S. PLOT NO.- 221(P),  
 222, 223, 235, 236, 295, 296 (P),  
 223/1689, 223/1690, 223/1687 OF  
 MOUZA- FULTHORE  
 J.L. NO- 82,  
 P.S. - DURGAPUR  
 DIST- BURDWAN  
 WARD NO- 25

SCALE 1:100; 1:50  
 & NOTE ALL DIMENSIONS ARE IN M.M.

LAND AREA 40908 SQM

COVERED AREA 260.73 SQM

SIGN OF THE SEC  
*Julal Kumar Maity*

SIGN OF THE ENGG.  
 HARE KRISHNA MAITRA  
 LICNO. DMC/BPO/56  
 DATE 18-01-06  
 REET. DATE 26-05-06



**APPROVED**

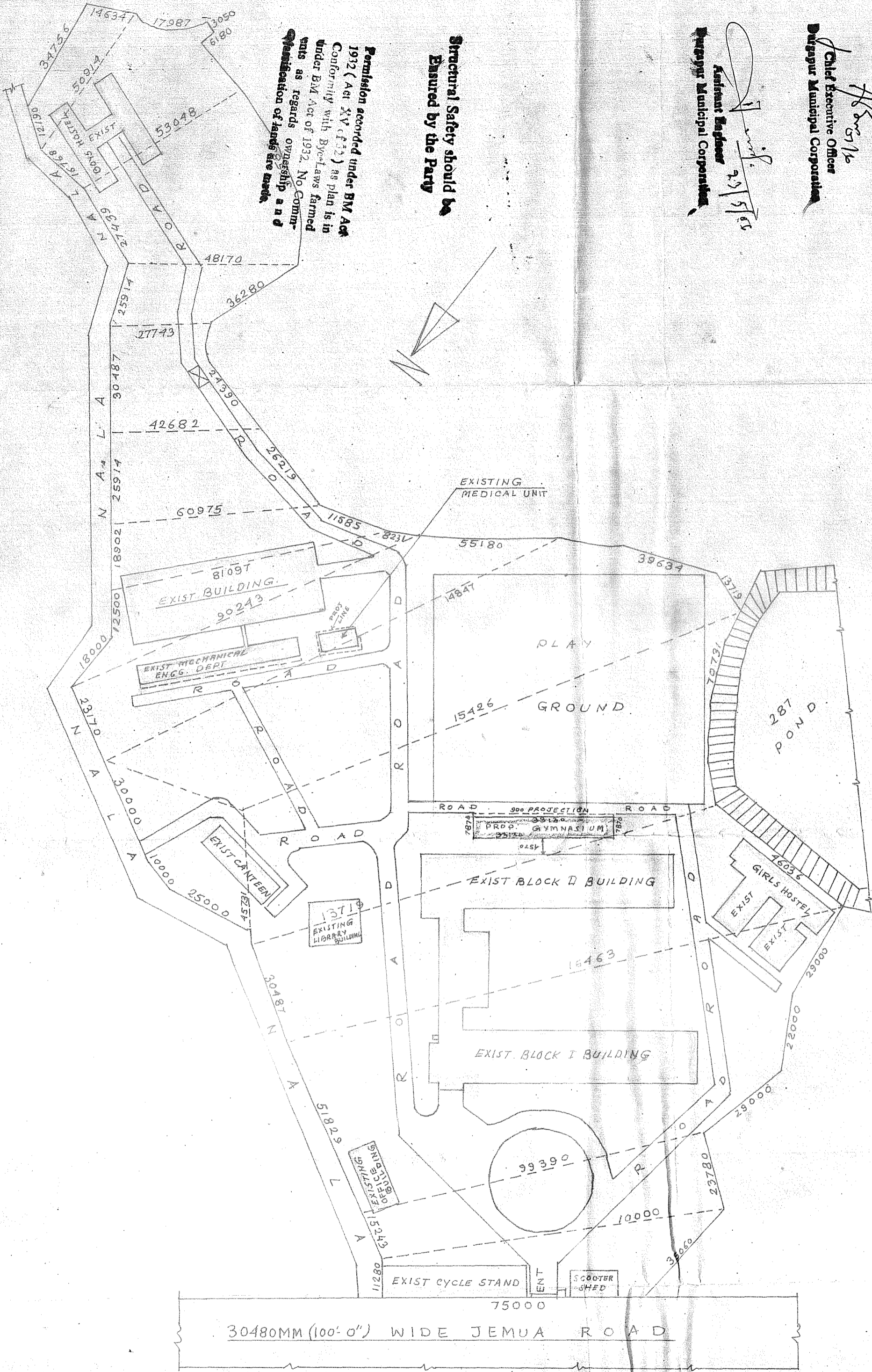
PLAN No. C-8/1084/65  
 R/R/CB/18/PP/PH/UT/1  
 APN: 20.5.20.6  
 Date 20/8/2006

Chief Executive Officer  
 Durgapur Municipal Corporation

Assistant Engineer  
 Durgapur Municipal Corporation

Structural Safety should be  
 Ensured by the Party

Permission accorded under BM Act  
 1912 (Act XV of 1933) as plan is in  
 conformity with By-Laws framed  
 under Bd Act of 1932. No Comm-  
 ission as regards ownership and  
 classification of lands are made.



SITE PLAN

PROPOSED PLAN OF  
 SINGLE STORIED GYMNASIUM  
 BUILDING OF DR. B. C. ROY  
 ENGINEERING COLLEGE,  
 DURGAPUR, OVER R.S. PLOT NO.  
 221 (P), 222, 223, 235, 236, 295,  
 296 (P), 223/1689, 223/1690,  
 223/1687, OF MOUZA - FULJHORE  
 J.L. NO - 82,  
 P.S. - DURGAPUR  
 DIST - BURDWAN.  
 WARD NO - 25

SCALE	1:1000
NOTE	ALL DIMENSIONS ARE IN M.M
LAND AREA	40908 SQM
COV AREA	260.73 SQM
SIGN OF THE SEC	Julal Kumar Mitra
SIGN OF THE ENGG.	HARE KRISHNA MAITRA LICNO. DMC/BPD/56 DATE 18-01-06