



Live WEBINAR

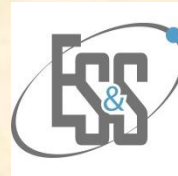
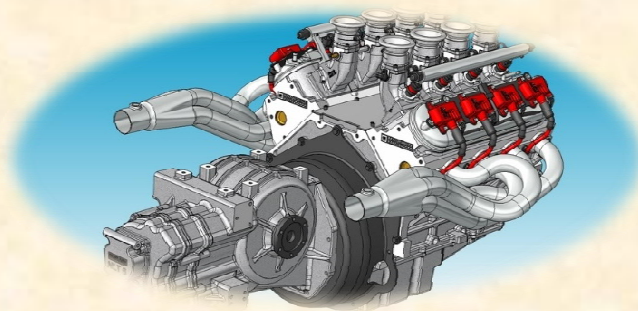


on

3D Exposure and Project Work using SOLIDWORKS



Mr. AMIT KUMAR SARANGI
Application Engineer



ELMAX Systems & Solutions, Kolkata



Mr. REETAM HALDER
SALES ENGINEER

 **Date: 26th July 2021, Time: 02.30 PM to 04.00 PM**
Registration Link: <https://forms.gle/YwTTdakm3fphy5rj8>



Organized by:

Mr. Suman Karmakar & Dr. Chandan Chatteraj
Department of Mechanical Engineering
Dr. B.C. Roy Engineering College, Durgapur

Live Webinar organised by Mechanical Engineering Department on '3D Exposure & Project Work using SolidWorks' on 26th July, 2021, Time: 02:30 – 04:00 PM.

Resource persons: Mr. AMIT KUMAR SARANGI, Application Engineer & Mr. REETAM HALDER, Sales Engineer, ELMAX Systems & Solutions, Kolkata

Registration Link: <https://forms.gle/YwTTdakm3fphy5rj8>

Google Meet Link: meet.google.com/bjy-ectq-uff

Faculty Organisers: Prof.Suman Karmakar, Assistant Professor and Prof.(Dr.)Chandan Chatteraj, Professor of Mechanical Engineering Department

The Webinar was organised on 26th July, 2021 from 02:30PM to 04:00PM in Google Meet virtual platform. About 122 students and faculty members registered for this session. The webinar was coordinated by Prof.Suman Karmakar, Assistant Professor and Prof.(Dr.)Chandan Chatteraj, Professor of Mechanical Engineering Department. It was started in presence of Prof.(Dr.)Kanchan Chatterjee, HOD of the department. Prof. Karmakar introduced the speakers.

The speaker Mr. AMIT KUMAR SARANGI is an B.Tech in Mechanical Engineering and has 4+ years of industrial experience on SOLIDWORKS. Currently he is working as an Application Engineer in Elmax Systems and Solutions. His areas of interest lie in additive manufacturing (3D printing), Reverse Engineering, Rapid Prototyping, and CAD/CAM Technologies. He is responsible for conducting seminars, Training and involved in various Technical support for Academic Institute.

The other speaker Mr. REETAM HALDER is an B.Tech in Mechanical Engineering and has 3+ years of industrial experience on SOLIDWORKS. Currently he is working as Sales Engineer in Elmax Systems and Solutions. His areas of interest lie in additive manufacturing (3D printing), Reverse Engineering, Rapid Prototyping, and CAD/CAM Technologies. He is responsible for conducting seminars, Training and involved in various Technical support for Academic Institute.

The speakers divided the whole session into four sections and allowed the students as well as faculty members to interact. For efficient 3D design. SOLIDWORKS is an easy to use parametric design modular, meaning you can easily edit the design at any stage in the design process. This industry ready software is used for planning, visual ideation, modelling, feasibility assessment, prototyping, and project management. Learning management systems were designed to identify training and learning gaps, utilizing analytical data and reporting. LMSs are focused on online learning delivery but support a range of uses, acting as a platform for online content, including courses, both asynchronous based and synchronous based. In the higher education space, an LMS may offer classroom management for instructor-led training or a flipped classroom. Modern LMSs include intelligent algorithms to make automated recommendations for courses based on a user's skill profile as well as extract metadata from learning materials in order to make such recommendations even more accurate. A few video clips were displayed to explain different functions of solidworks. The audience got enough opportunities to clarify their doubts.

The session was ended with vote of thanks by Prof.(Dr.)Chandan Chatteraj.

Timestamp	1. YOUR NAME	2. YOUR DESIGNATION	3. YOUR EMAIL ID	4. YOUR MOBILE NUMBER
7-22-2021 20:59:06	SUBHASH Kumar Gupta	OTHER	subhash.gupta25122000@gmail.com	6206911704
7-22-2021 20:59:43	SUBHADIP DEY	STUDENT	subhadipdeyaicm@gmail.com	7585079978
7-22-2021 21:00:05	Shubhrodeep Sen	STUDENT	shubhrodeepsen@gmail.com	8001700264
7-22-2021 21:01:26	Anubhav Anand	STUDENT	anubhavanand2506@gmail.com	9304991158
7-22-2021 21:02:52	Souman Panja	STUDENT	gopalpanja27@gmail.com	7431882501
7-22-2021 21:03:05	NIKHIL KUMAR RAWANI	STUDENT	nikhilrawani1383888@gmail.com	7488121617
7-22-2021 21:05:04	Riju Ganguly	STUDENT	rijuganguly2002@gmail.com	7001711649
7-22-2021 21:05:50	Sayan Chatterjee	STUDENT	sayan2000chatterjee@gmail.com	9382670871
7-22-2021 21:06:05	ABHISHEK SHYAM	STUDENT	shyamabhishek2000@gmail.com	8101893540
7-22-2021 21:07:05	ARIJIT BANERJEE	FACULTY	arijit.banerjee@bcrec.ac.in	9339204602
7-22-2021 21:08:30	SATYAM GOSWAMI	STUDENT	satyamgoswami2910@gmail.com	9113306905
7-22-2021 21:09:39	MUJIBAR RAHAMAN KH/	STUDENT	mujibarrahamankhan65@gmail.com	9007319084
7-22-2021 21:10:16	Mrityunjoy Mahato	STUDENT	mrityunjoymahato121@gmail.com	7908867812
7-22-2021 21:11:12	BULLET KUMAR	STUDENT	Kumarbullet643@gmail.com	9065420890
7-22-2021 21:12:01	AHMAD RAZA	STUDENT	ahmadraza7050147344@gmail.com	8757206828
7-22-2021 21:16:36	Ranjit Chakraborty	STUDENT	ronojitcchakraborty98@gmail.com	8967811060
7-22-2021 21:16:56	Rahul Sarkar	STUDENT	rahulsarkar728@gmail.com	9883317884
7-22-2021 21:20:30	SHANTANU DEBNATH	STUDENT	shantanudebnath552@gmail.com	8926677056
7-22-2021 21:22:53	MD OSMAN GANI	STUDENT	mdosmanganiw786@gmail.com	7431081983
7-22-2021 21:33:23	SAYAN MUKHERJEE	STUDENT	sayanmukherjee294@gmail.com	9775431173
7-22-2021 21:35:36	Arka Mondal	STUDENT	arka83852@gmail.com	7908925785
7-22-2021 21:39:09	SHASHI KANT TIWARI	STUDENT	shashitiwaribang@gmail.com	9693696442
7-22-2021 21:39:16	MD DANISH	STUDENT	mohammaddanish2522000@gmail.com	9128386318/9608375943
7-22-2021 21:39:28	APOORV SHANDILYA	STUDENT	chitranshuj@gmail.com	7481809223
7-22-2021 21:40:22	Hridam Mandal	STUDENT	hridammandal@gmail.com	6289091263
7-22-2021 21:40:46	Uttam Kumar	STUDENT	Kumaruttam067@gmail.com	7765843898
7-22-2021 21:41:04	Tanmoy Maiti	STUDENT	tanmoy.maiti2019@gmail.com	8370806318
7-22-2021 21:41:34	Bishal singh	STUDENT	bishalsingh3580@gmail.com	9382332871
7-22-2021 21:43:28	SUBHAJITSAHANA	STUDENT	Subhajitsahana28382@gmail.com	7679399920
7-22-2021 21:43:39	Indrajit Prasad	STUDENT	indrajitprasad9999@gmail.com	8240271441
7-22-2021 21:46:31	ARNAB SENGUPTA	STUDENT	Babaisg9@gmail.com	7797381505
7-22-2021 21:46:52	Akshoy Kumar Saha	STUDENT	akshoyaks@gmail.com	7602631196
7-22-2021 21:47:32	BAIJNATH TUDU	STUDENT	Sushil9507446862@gmail.com	9507446862
7-22-2021 21:57:42	Manish Sharma	STUDENT	manish.sharma110501@gmail.com	9378067516
7-22-2021 21:58:10	Rajkumar Barik	STUDENT	barikrajkumar674@gmail.com	9382781235
7-22-2021 22:15:55	SOUMIK RAJGURU	STUDENT	soumikrajguru858@gmail.com	+919064341591
7-22-2021 22:18:25	Shahil Kumar	STUDENT	shahilkumar862@gmail.com	6201893683
7-22-2021 22:33:54	Bishal Kar	STUDENT	Bishalkar.99999@gmail.com	8670756142
7-22-2021 22:34:38	AYUSH KUMAR	STUDENT	ayushkumarrajput53@gmail.com	9079523369
7-22-2021 22:35:11	SHAD AHMAD	STUDENT	shadahmad881@gmail.com	9304471463
7-22-2021 22:38:23	Srikanta bhattacharjee	STUDENT	sudiptqb@gmail.com	7047507436
7-22-2021 22:41:48	Rittik kumar das	STUDENT	rittikkrdas231299@gmail.com	8637022595
7-22-2021 22:43:24	Abhishek Chatterjee	STUDENT	abhishekchatterjee666@gmail.com	7908538509
7-22-2021 22:44:23	Ashutosh Kumar Ghosh	STUDENT	ashutoshghosh2659@gmail.com	8083250289
7-22-2021 22:45:41	Jeet Dutta	STUDENT	duttajeet900@gmail.com	7001715278
7-22-2021 22:47:03	SK MOBASSARUL HAQU	STUDENT	sk.haque49@gmail.com	9933148027
7-22-2021 22:49:46	Payel Nayak	STUDENT	Payelnayak772002@gmail.com	9382046086
7-22-2021 22:50:40	MD SHAHNAWAZ HUSAI	STUDENT	shahnawazhusain356@gmail.com	6203903487
7-22-2021 22:51:50	Aman Kumar	STUDENT	amankumardholi@gmail.com	9939371125
7-22-2021 22:53:03	Inshal Shakeel	STUDENT	inshalakhter@gmail.com	9060864818
7-22-2021 22:54:37	SATYAM KUMAR	STUDENT	jsatyam21@gmail.com	7050061748
7-22-2021 22:56:39	ANISH	STUDENT	ak1138jha@gmail.com	7766031592
7-22-2021 22:59:36	SOUVIK DAS	STUDENT	Souvik1234.com@gmail.com	6290332418
7-22-2021 23:09:01	SAIKAT NAG	STUDENT	iamsaikatnag@gmail.com	8609090265
7-22-2021 23:19:59	ABHIJEET KR PASWAN	STUDENT	abhijeetpaswan6646@gmail.com	7908519916
7-22-2021 23:20:54	Subhajit Chakraborty	STUDENT	subhajitc98dgp@gmail.com	9531699657
7-22-2021 23:42:56	Sayan Banerjee	STUDENT	sayancr9@gmail.com	9064354580
7-22-2021 23:48:52	SAMBHAV KUMAR CHAT	STUDENT	Sambhavchatterjee5@gmail.com	6295320176
7-22-2021 23:52:58	Shubhapriya Roy	STUDENT	royshubhapriya@gmail.com	7872443883
7-23-2021 0:01:52	Ramyadeep barman	STUDENT	barmanriku06@gmail.com	8250287043
7-23-2021 0:33:43	Abhay Kumar Tiwari	STUDENT	abhaykumartiwari770@gmail.com	9547003531
7-23-2021 1:58:02	Mainak Dutta	STUDENT	mainakdutta.dgp@gmail.com	8967126953
7-23-2021 2:31:21	PRASOON HAZRA	STUDENT	prasoonhazra1995@gmail.com	7364830610
7-23-2021 5:33:09	RAJNISH KUMAR RANJA	STUDENT	krajnish2016@gmail.com	9473264379
7-23-2021 6:28:21	PIYUSH JOSHI	STUDENT	darknight9831@gmail.com	6291855813
7-23-2021 6:42:02	Shashank Shekhar	STUDENT	shashankshekhar35844@gmail.com	8102456722
7-23-2021 6:43:42	SOUVIK SADHU	STUDENT	souvik731127@gmail.com	7797555749
7-23-2021 7:08:52	Soumalya Dutta	STUDENT	Soumalyadutta481@gmail.com	9382454678
7-23-2021 7:11:55	Chandi Das Pal	STUDENT	cpal12567@gmail.com	7718480601
7-23-2021 7:36:22	AYAN BANERJEE	STUDENT	ayan08744@gmail.com	8617561974
7-23-2021 7:46:46	Rohon Dan	STUDENT	rohandan96@gmail.com	9064521699

7-23-2021 7:55:07	Buddhadev Das	STUDENT	dasbuddha1999@gmail.com	6295789153
7-23-2021 8:14:40	Bapan Jana	STUDENT	janabapan676@gmail.com	75868815236
7-23-2021 8:15:28	SK AMIR SOHEL HAQUE	STUDENT	amirsuman290@gmail.com	9563815372
7-23-2021 8:18:51	PRANAV	STUDENT	pranavpratik2399@gmail.com	7764058427
7-23-2021 8:28:22	Subhankar chatterjee	STUDENT	subhankarchatterjee2000@gmail.com	6296943793
7-23-2021 8:29:40	B. Naveen Kumar	STUDENT	n.kumar.130199@gmail.com	9123037151
7-23-2021 8:44:17	Bishal Pal	STUDENT	bishalpal.andal2001@gmail.com	8436238493
7-23-2021 8:47:34	Bidhan chandra ghara	STUDENT	bidhancg97@gmail.com	8918760715
7-23-2021 8:57:21	Biswajit Mondal	STUDENT	biswaj55020@gmail.com	8370842157
7-23-2021 8:59:53	Prince Kumar	STUDENT	princechouhan82506@gmail.com	6200928251
7-23-2021 9:03:48	Arnab Mondal	STUDENT	arnab1853@gmail.com	7063495800
7-23-2021 9:11:49	SAYAN AICH	STUDENT	sayanaich0301@gmail.com	9382399428
7-23-2021 9:44:19	Palash panja	STUDENT	palashpanja684@gmail.com	9064277297
7-23-2021 10:22:32	RAJKUMAR BHARTI	STUDENT	rajkumarbharti653@gmail.com	7209371124
7-23-2021 10:28:57	Subhadip Dutta	STUDENT	duttasubhadip2001@gmail.com	7583941664
7-23-2021 10:34:47	Kazi Yaser Ali	STUDENT	kaziyaserali7196@gmail.com	9832134153
7-23-2021 10:34:49	RAHUL KUMAR SHAW	OTHER	rahulraghav651@gmail.com	8967738944
7-23-2021 10:34:53	Rahul Dutta	STUDENT	rahulduttapurulia123@gmail.com	6294009279
7-23-2021 10:53:04	DIBYAKANTI ROY	STUDENT	dibyakanti99@gmail.com	9064545465
7-23-2021 11:01:20	Dr.Chandan Chatteraj	FACULTY	chandan.chatteraj@bcrec.ac.in	9531591525
7-23-2021 11:28:02	Pawan Kumar	STUDENT	Pawan0753@gmail.com	9304823169
7-23-2021 11:38:36	MD ANWER ALI	STUDENT	anwerali52270@gmail.com	7091717927
7-23-2021 11:46:28	ASIF ALI	STUDENT	asif.ali101196@gmail.com	7278228777
7-23-2021 12:07:49	Ankan Mondal	STUDENT	mondalankan71@gmail.com	8617521712
7-23-2021 12:12:31	sourav das	STUDENT	sourav.bwn1@gmail.com	9064409331
7-23-2021 12:16:51	ARIJIT CHAKRABORTY	STUDENT	arijit.tubu2002@gmail.com	8670171256
7-23-2021 12:23:17	Amit Kumar	STUDENT	amitkr.124680@gmail.com	7070672702
7-23-2021 12:31:34	Vivek Kr Barnwal	STUDENT	vivekbarnwal85@gmail.com	9521784232
7-23-2021 12:33:53	Shubradeep Mukherjee	STUDENT	kajalmukherjee689@gmail.com	8617535608
7-23-2021 13:03:42	Shiv Sankar Dey	STUDENT	shivsankardey762@gmail.com	7001605314
7-23-2021 13:44:20	RAHUL KUMAR	STUDENT	kumarrahulm827@gmail.com	7766882894
7-23-2021 15:01:20	ABHIRAJ SINGH	STUDENT	abhirajsingh2211@gmail.com	8250449473
7-23-2021 15:13:41	APARESH SINGHA	STUDENT	apareshsingha20@gmail.com	8509309289
7-23-2021 18:16:01	PRAFFUL BHARDWAJ	STUDENT	praffulbhardwaj01@gmail.com	8825196787
7-23-2021 18:42:12	SAGNIK BHOWMIK	STUDENT	sagnik369@gmail.com	9434535129
7-23-2021 22:59:38	Deepjyoti santra	STUDENT	deepsantra575@gmail.com	6297345826
7-24-2021 7:28:53	Avishek Mondal	STUDENT	avisekmondal10@gmail.com	6296143063
7-24-2021 10:09:04	Manas ghosh	STUDENT	manasghosh948@gmail.com	8250161217
7-24-2021 10:33:12	Gautam Kumar Ravi	STUDENT	gautamr1618@gmail.com	6202822421
7-24-2021 10:57:49	Shekhar Kumar Das	STUDENT	shekhardas580@gmail.com	8825259012
7-24-2021 12:53:41	Apratim Mondal	STUDENT	apratim.mondal413@gmail.com	9593558249
7-24-2021 15:27:39	Suman Bir	STUDENT	ss096343@gmail.com	8250624503
7-24-2021 15:57:28	Subhadeep Majumder	STUDENT	subhadeep.pkr@gmail.com	9771201195
7-24-2021 16:28:32	Shibam Ghosal	STUDENT	ghosalshibamcoc@gmail.com	7384463199
7-24-2021 18:02:11	ANKIT MISHRA	STUDENT	ankitmishrajdr@gmail.com	9064356794
7-24-2021 23:04:58	Sujit Kumar Das	STUDENT	sujit8804341117@gmail.com	8804341117
7-25-2021 8:53:45	Kumar Abhishek Raj	STUDENT	Kumarabhishekr4@gmail.com	8986737895
7-25-2021 15:16:19	Ayan chatterjee	STUDENT	ayan.bcrp@gmail.com	8927637238
7-25-2021 15:29:11	SOUJYOTI KARMAKAR	STUDENT	soujyotikarmakar1997@gmail.com	8670614901
7-25-2021 19:46:30	Sudipta kumar pal	STUDENT	sudiptapal.9897@gmail.com	7602424650
7-26-2021 0:49:14	SOURAJIT VARIK	STUDENT	sourajit.varik.dgp@gmail.com	7063168374

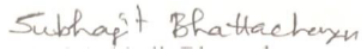
Department of Mechanical Engineering, Dr B. C. Roy Engineering College, Durgapur

Notice

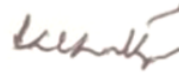
Date 01.07.2021

Subject: Webinar on Solidworks and Catia

This is to notify that the Department of Mechanical Engineering of Dr. B. C. Roy Engineering College is organizing a webinar on **Comparison of Thermocouple and Thin Film Gauges and its applications** from 4.30 pm to 5.30 pm on 10th July, 2021. The invited **speaker is Mr Srirup Pradhan, who is a faculty of Tchhub Solutions, kolkata.** Interested students are advised to register themselves within 08.07.2021 by submitting the google form given in the attached flyer. The google meet link for joining the webinar will be sent to the registered email addresses 15 minutes before the commencement of the webinar. Interested faculty members may also join using the link. Participants may contact any one of the undersigned for their queries if any.



Prof. Subhajit Bhattacharya
Webinar Coordinator,
Asst. Professor, M.E. Dept.



Prof. Dr. Kanchan Chatterjee,
Professor & Head of the Department,
Department of Mechanical Engineering